

Oxygen Sensor OOA101

Use the advantages:

- PTB-A 18.10 approved
- Meet BAR 97 requirements
- Certified quality management system
- Accurate and reliable response
- Excellent selectivity against CO₂
- Excellent signal stability
- High product quality
- Short delivery times
- Technical support
- Made in Germany
- 15 months warranty



„We keep your devices operating at their best.“

EnviteC has been developing and manufacturing highly specialized products for medical applications and innovative products within the gas measurement technology for environmental, industrial and safety applications.

The company trusts in the quality of advanced production methods and processes. The result are oxygen sensors for automotive emission gas analysers, which share the same extraordinary quality, excellent signal stability and reliable response for accurate readings. These sensors for measuring the partial pressure of oxygen are designed to meet the BAR standards and have been approved according to PTB-A 18.10.

EnviteC's research and development activities are consistently aligned to customer and market needs – identification and optimization of sustainable product solutions are the main concerns of the company.

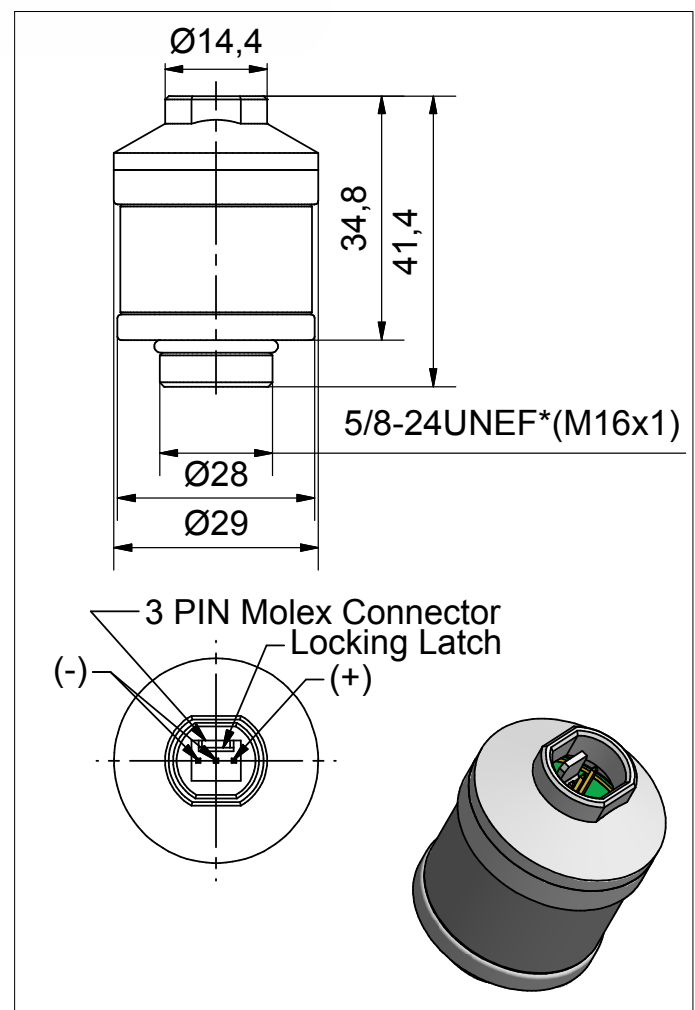
From standard sensors to customized sensors

Experienced EnviteC engineers analyze customer requirements. This input is used for different standard and OEM applications, and ongoing support is provided right up to the final integrator in the solution. EnviteC designs customized sensors characterized by a maximum possible degree of precision.

For more information please contact us!

We look forward to assisting you either on the phone or in a personal talk.

Mechanical drawing (All dimensions in mm)



General tolerances ISO 2768-c

*Intermediate thread: Metric / Unified Extra Fine

Technical Specifications OOA101

Measurement range	0 % ... 100 % oxygen (at atmospheric pressure)
Nominal sensor lifetime	≥ 500 000 % volume oxygen hours
Output in ambient air	7 mV ... 13 mV
Electrical interface	3 pin (Molex® 22-04-1031)
Accuracy	0 % ... 3.3 % oxygen: ± 0.1 % absolute 3.4 % ... 100 % oxygen: ± 3 % relative
Linearity error	< 3 % relative
Response time	< 5 s to 90 % of final value; < 40 s fall time from 20.95 % to 0.1 % oxygen (when 100 % nitrogen applied)
Zero offset voltage	< 40 µV in 100 % nitrogen
Cross interference	< 0.1 % oxygen response to: 15 % CO ₂ balance N ₂ ; 10 % CO balance N ₂ ; 3000 ppm NO balance N ₂ ; 3000 ppm C ₃ H ₈ balance N ₂ ; 500 ppm H ₂ S balance N ₂ ; 500 ppm SO ₂ balance N ₂ ; 1000 ppm benzene balance N ₂
Influence of humidity	-0.03 % rel. per % RH at 25 °C
Pressure range	0.6 bar ... 2 bar (ppO ₂ 0 ... 1250 mbar O ₂)
Influence of pressure	proportional to change in oxygen partial pressure
Influence of mechanical shock	< 1 % relative after a fall from 1 m
Operating temperature	0 °C ... +50 °C
Temperature compensation	built-in NTC compensation
Effect of temperature compensation (steady state)	between +25 °C and +40 °C: 3 % relative error between 0 °C and +50 °C: 8 % relative error
Operating humidity	0 % ... 99 % RH non-condensing
Long term output drift	< 1 % volume oxygen per month typically < -15 % relative over lifetime
Storage temperature	-20 °C ... +50 °C
Recommended storage	+5 °C ... +15 °C
Recommended load	≥ 10 kOhm
Warm-up time	< 30 minutes, after replacement of sensor
Weight	approximately 28 grams
Part number	01-00-0030

All specifications are applicable at standard conditions:
1013 hPa, 25 °C dry ambient air



Certified Quality Management

EnviteC is maintaining a quality management system, which meets the requirements of EN ISO 13485 for medical devices.

EnviteC-Wismar GmbH a Honeywell Company

Alter Holzhafen 18, 23966 Wismar, Germany

Phone: +49 (0)3841-360-1

Phone: +49 (0)3841-360-200

Fax: +49 (0)3841-360-222

Internet: www.envitec.com

Email: info@envitec.com

Doc. No. 001-05-OOA101-0

April 2017

Technical information is subject to change without notice!

© 2017 Honeywell International Inc.

EnviteC by Honeywell reserves the right to make changes in product specifications and adjust its production at any time and without notice.

ENVITEC
by Honeywell