

Automotive NO-Sensor NOXO100

Use the advantages:

- Accurate and reliable response
- Very low pressure influence
- Excellent signal stability
- High product quality
- Short delivery times
- Technical support
- Made in Germany
- Certified quality management system
- 15 months warranty



„We keep your devices operating at their best.“

EnviteC has been developing and manufacturing highly specialized products for medical applications and innovative products within the gas measurement technology for environmental, industrial and safety applications.

The company trusts in the quality of advanced production methods and processes. The result are NO sensors for automotive emission gas analysers, which measure the partial pressure of nitric oxide (NO) and share the same extraordinary quality, excellent signal stability and reliable response for accurate readings.

EnviteC's research and development activities are consistently aligned to customer and market needs – identification and optimization of sustainable product solutions are the main concerns of the company.

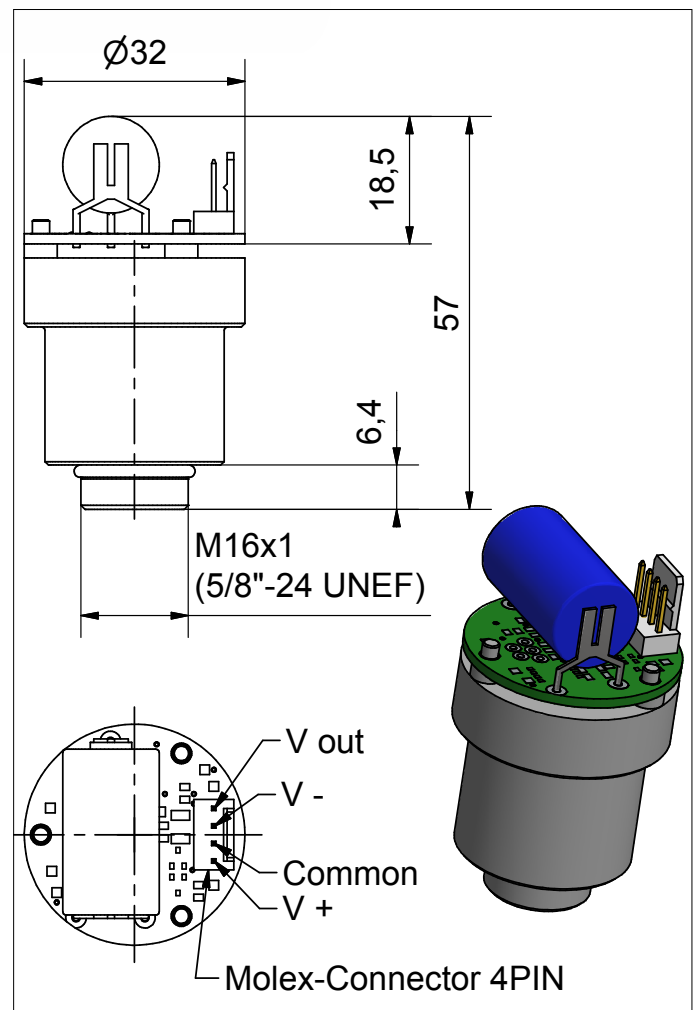
From standard sensors to customized sensors

Experienced EnviteC engineers analyze customer requirements. This input is used for different standard and OEM applications, and ongoing support is provided right up to the final integrator in the solution. EnviteC designs customized sensors characterized by a maximum possible degree of precision.

For more information please contact us!

We look forward to assisting you either on the phone or in a personal talk.

Mechanical drawing (All dimensions in mm)



General tolerances ISO 2768-c

*Intermediate thread: Metric / Unified Extra Fine

Technical Specifications NOXO100

Measurement range	0 ... 5000 ppm NO
Output of a new sensor	50 nA / ppm \pm 10 nA
Resolution	1 ppm
Repeatability	2 % of signal
Accuracy	0 ... 4000 ppm \pm 4 % or 25 ppm absolute; 4001 ... 5000 ppm \pm 8 %
Output linearity	linear
Response time (t 95)	\leq 7 s (depends on flow rate)
Maximum zero shift	30 ppm NO equivalent (15 °C ... 50 °C)
Pressure range	800 ... 1200 hPa
Influence of pressure	< 0,1 % / 100 hPa ambient pressure; < 0,12 % / hPa measuring gas pressure
Position sensitivity	none
Cross sensitivity	\leq 15 ppm response to 10 % CO; \leq 10 ppm response to 16 % CO ₂ ; \leq 20 ppm response to 100 ppm H ₂ S; \leq 10 ppm response to 2000 ppm C ₂ H ₈ ; \leq 15 ppm response to 100 ppm SO ₂
Operating temperature	0 °C ... 50 °C (20 °C ... 35 °C recommended)
Storage temperature	0 °C ... 50 °C (avoid excess heat and cold)
Temperature compensation	compensation by analyser
Operating humidity	0 % ... 99 % RH not condensing
Long term output drift	< 2 % signal per month
Supply voltage	6 ... 12 V
Bias voltage	+300 mV
Power consumption	< 1 mW
Weight	35 g
Storage Life	3 months in unopened can
Warranty period	15 months
Part number	04-00-0002

All specifications are applicable at standard conditions:
1013 hPa, 21 °C dry ambient air



Certified Quality Management

EnviteC is maintaining a quality management system, which meets the requirements of EN ISO 13485 for medical devices.

EnviteC-Wismar GmbH a Honeywell Company

Alter Holzhafen 18, 23966 Wismar, Germany

Phone: +49 (0)3841-360-1

Phone: +49 (0)3841-360-200

Fax: +49 (0)3841-360-222

Internet: www.envitec.com

Email: info@envitec.com

Doc. No. 004-05-NOXO100-0

April 2017

Technical information is subject
to change without notice!

© 2017 Honeywell International Inc.

EnviteC by Honeywell reserves the
right to make changes in product
specifications and adjust its production
at any time and without notice.

ENVITEC
by Honeywell